



FIESTA ROYALE

HOTEL | ACCRA

A Unique Experience



CONFERENCE PACKAGES

2021

CONFERENCE PACKAGES

Package 1 at \$ 65.00 per delegate per day.
Use of conference room and equipment (Maximum of 8 hours)
3 Refreshments Breaks (Arrival, Mid Morning & Mid Afternoon)
Buffet Lunch with mineral water and a soft drink per person

1

2

Package 2 at \$ 55.00 per delegate per day.
Use of conference room and equipment (Maximum of 8 hours)
2 Refreshments Breaks (Mid Morning & Mid Afternoon)
Buffet Lunch with mineral water and a soft drink per person

Package 3 at \$ 50.00 per delegate per day.
Use of conference room and equipment (Maximum of 8 hours)
1 Refreshments Break (Mid Morning OR Mid Afternoon)
Buffet Lunch with mineral water and a soft drink per person

3

4

Package 4 at \$ 45.00 per delegate per day.
Use of conference room and equipment (Maximum of 8 hours)
Buffet Lunch with mineral water and a soft drink per person

Package 5 at \$ 35.00 per delegate per day.
Use of conference room and equipment (Maximum of 8 hours)
1 Refreshments Break (Mid Morning OR Mid Afternoon)

5

All above conference packages are inclusive of:

- Conference room set up with tables & chairs
- Note pads and pens
- Mineral water and mints
- Flip chart with markers
- Screen and Data Projector
- Complimentary WiFi

Please note: The above mentioned prices include VAT and NHIL.
All prices are subject to change without notice

CONFERENCE ROOM

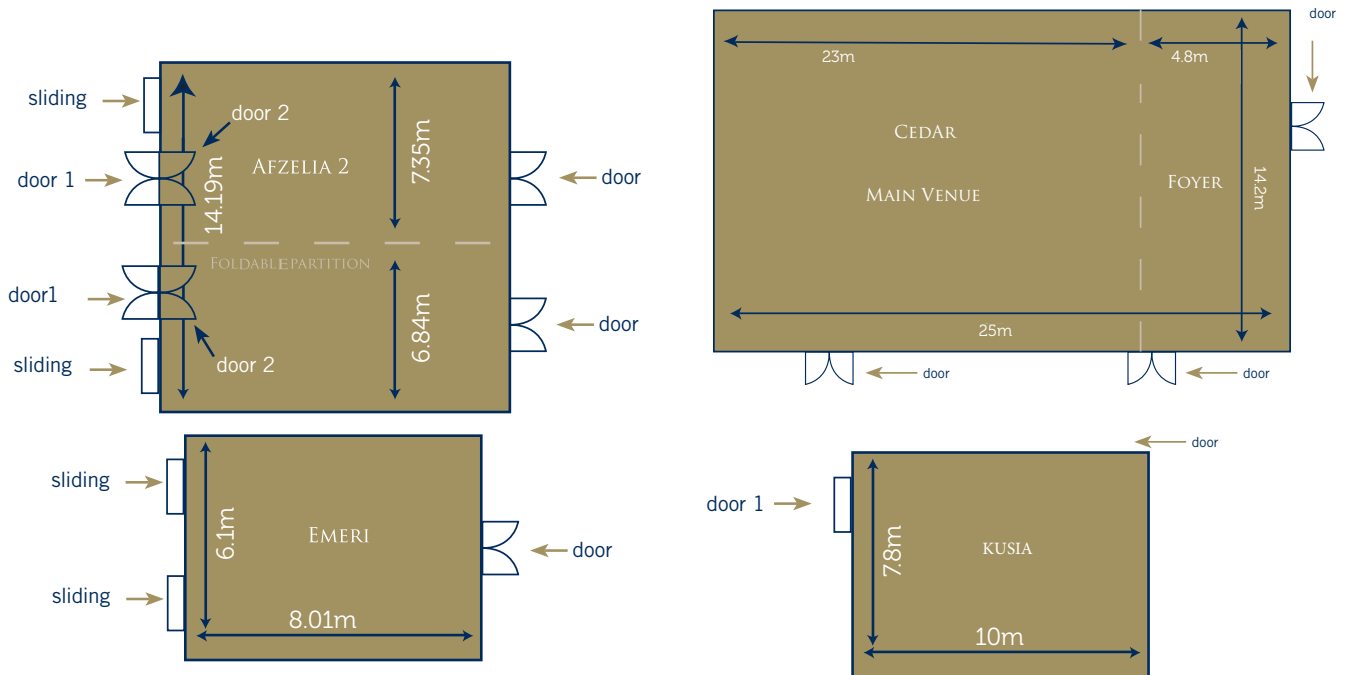
ROOM HIRE ONLY

Afzelia 1	---	USD\$ 1,000.00
Afzelia 2	---	USD\$ 1,000.00
Afzelia 1 & 2	---	USD\$ 2,000.00
Emeri	---	USD\$ 550.00
Kusia	---	USD\$ 550.00
Cedar	---	USD\$ 3,000.00

NOTE:

The above mentioned prices include VAT and NHIL.
All prices are subject to change without notice.

CONFERENCE VENUE LAYOUT



GENERAL INFORMATION

BANQUETING & CONFERENCE FACILITIES

The hotel offers 4 air-conditioned conference venues, one of which can be divided into two smaller venues. The conference rooms are the preferred setting for all your functions, meetings and social events. We offer the flexibility that enables you to set up the rooms to suit your exact needs. Our largest conference venue can accommodate 360 guests theatre style and 280 guests for a banquet

DAY CONFERENCE PACKAGES

We offer 5 day conference package options all tailor-made to suit your specific needs.

ALL CONFERENCE PACKAGES INCLUDE:

- Conference room set up with tables & chairs
- Notepads and pens
- Mineral water and mints
- Flipchart with markers
- PA system & cordless microphone
- Internet connectivity
- Screen & Data Projector

Full board residential conference package rates are available on request.

EXTRA CONFERENCE EQUIPMENT

LCD projector and laptops are available at an extra charge.

	AFZELIA 1	AFZELIA 2	AFZELIA 1 & 2	EMERI	CEDAR	KUSIA1
SEATING CAPACITIES						
Banquet	60	70	150	40	280	50
Banquet with dancefloor	50	60	120	30	250	40
Cinema/Theatre	100	120	250	60	360	70
Schoolroom/Classroom	50	60	120	50	280	50
U-Shape	34	36	70	20	90	30
Boardroom	38	42	N/A	20	N/A	30
DIMENSIONS (M)						
Length	14.6	14.6	14.6	8.0	25.8	10.0
Width	6.8	7.4	14.2	6.1	14.6	8.0
Height	3.5	3.5	3.5	3.2	3.0	3.0
Total Area	99.5	106.9	206.5	48.8	376.68	80
LIGHTING FACILITIES						
Controls	yes	yes	yes	yes	yes	yes
Power Sockets	4	4	8	3	18	11
Windows	yes	yes	yes	yes	yes	yes

DIRECTIONS

From Kotoka International Airport Kpeshie, Ghana to the Fiesta Royale Hotel

- Head north toward Airport Rd and continue straight for approx. 300 m
- Turn left toward Airport By-pass Rd
- Turn right onto Airport By-pass Rd
- At the roundabout, take the 1st exit and stay on Airport By-pass Rd
- Turn right onto Liberation Rd
- Continue onto Legon East Rd
- Take the ramp onto Accra-Tema Motorway for approx. 2.2 km
- Take slight turn to the right into George Bush Motorway – Fiesta Royale hotel will be on your right

GPS co-ordinates:

5° 37' 8,97" S -0° 11' 28,90" E

GDS codes: Chain Code: UI; Amadeus: ACCFRH; Apollo, Galileo: 51967;
SABRE: 77452; Worldspan, Pegs ADS, Travelweb: ACCFR

